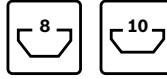
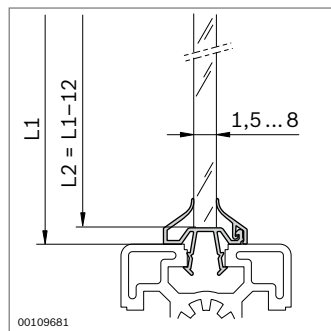
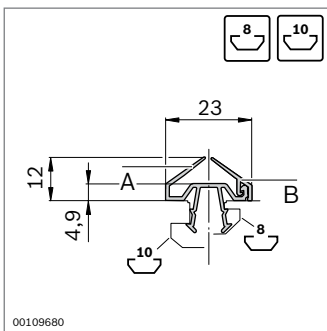
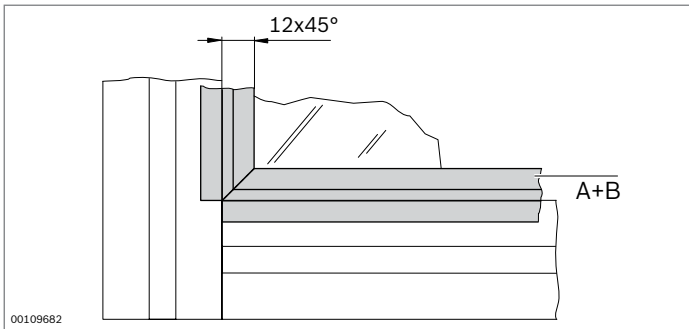


Protective pane profile, PVC



- ▶ For the play-free mounting of surface elements
- ▶ For surface elements with a thickness of 1.5 ... 8 mm
- ▶ For subsequent installation in closed frame constructions
- ▶ Installation of surface elements at center of slot
- ▶ The protective pane profile consists of the base profile (**A**) and the clip-on strip (**B**)
- ▶ With sealing lips for sealing the workspace from water spray



Protective pane profile, PVC	Slot	s (mm)	L (mm)		No.
A Base profile	8, 10	1.5 ... 8	2000	10	3 842 519 565
B Clip strip	8, 10	1.5 ... 8	2000	10	3 842 519 567

Material: PVC; black